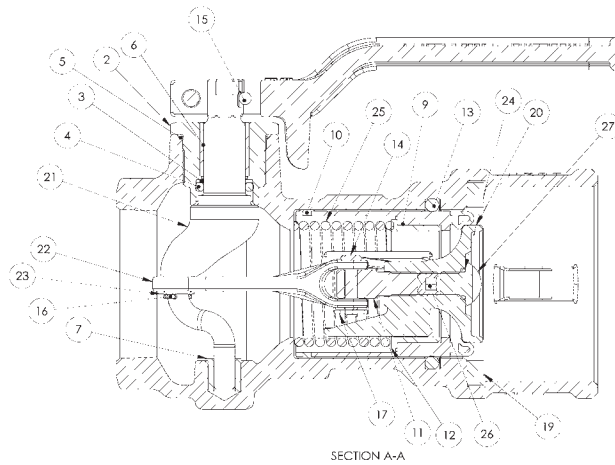
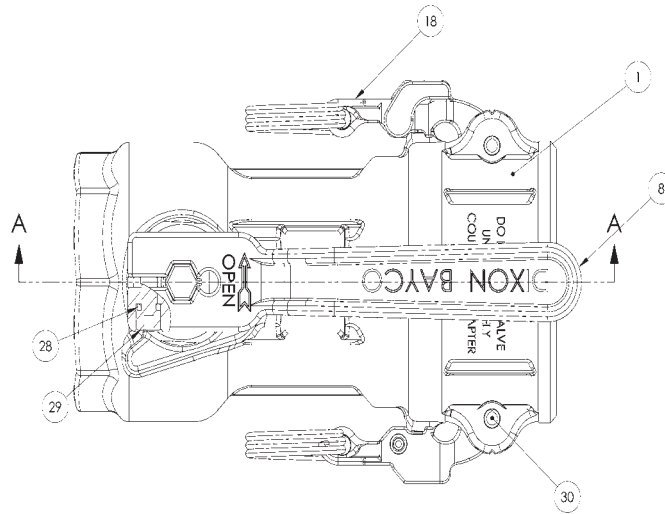


DBC Cam and Groove Dry Disconnects Aluminum and Stainless Couplers



Bill of materials and repair kits can be found on the following pages:

DBC6x-150 see page 149

DBC7x-150 see page 150

DBC6x-200 see page 151

DBC7x-200 see page 152

DBC6x-300 see page 154

DBC7x-300 see page 155

DBS6x-200 see page 157

DBC Cam and Groove Dry Disconnects 1½" Aluminum Couplers

1½" aluminum coupler

Bill of Materials

DBC6x-150

Item #	Description	Part #	Qty
1	body	---	1
2	stuffing box	40074SS	1
3	back up ring	40075TF	1
4A	crank shaft O-ring Buna (for DBC61-150)	40076BN	1
4B	crank shaft O-ring FKM (for DBC62-150)	40076VI	1
4C	crank shaft O-ring Kalrez® (for DBC63-150)	40076KR	1
4D	crank shaft O-ring EPDM (for DBC63-150, DBC66-150 & DBC67-150)	40076EP	1
5	stuffing box PTFE O-ring	40077TF	1
6	large crank shaft bearing	40078FG	1
7	small crank shaft bearing	40079SS	1
8	lever (handle)	40080SS	1
9A	seal cylinder (for DBC61-150)	40117ALBN	1
9B	seal cylinder (for DBC62-150)	40117ALVI	1
9C	seal cylinder (for DBC63-150, DBC66-150 & DBC67-150)	40169SS	1
9D	seal cylinder (for DBC64-150)	40117ALEP	1
10	PTFE button	40082TF	6
11	yoke	40118SS	1
12	PTFE bushing	40119TF	1
13A	body O-ring Buna (for DBC61-150)	40120BN	1
13B	body O-ring FKM (for DBC62-150)	40120VI	1
13C	body O-ring PTFE/Silicone® (for DBC63-150)	40120TS	1
13D	body O-ring EPDM (for DBC64-150)	40120EP	1
13E	body O-ring Kalrez® (for DBC66-150)	40120KR	1
13F	body O-ring PTFE/FKM (for DBC67-150)	40120TV	1
14	link rivet	40086SS	1
15	groove pin	40087SS	1
16	crank shaft cotter pin	40088SS	1
17	link cotter pin	40088SS	1
18	EZ Boss lock cam arm	40089SS	2
19A	cam gasket Buna (for DBC61-150)	200-G-BU	1
19B	cam gasket FKM (for DBC62-150)	200-G-VI	1
19C	cam gasket PTFE/Silicone® (for DBC63-150)	200-G-TES	1
19D	cam gasket EPDM (for DBC64-150)	200-G-EPR	1
19E	cam gasket PTFE/FKM (for DBC66-150 & DBC67-150)	200-G-TFVI	1
20	poppet	40114SS	1
21	crank shaft	40115SS	1
22	link arm	40116SS	1
23	link washer	40094SS	1
24	poppet screw PTFE O-ring	40122TF	1
25	cylinder spring	DBCxx-150RK8	1
26	set screw	40124SS	1
27	poppet screw (round head)	40125SS	1
28	lock washer	40099SS	1
29	socket head cap screw	40100SS	1
30	cam arm spring pin	40101SS	2
31	nose seal (for DBC63-150, DBC66-150 & DBC67-150)	40171TF	1

Repair Kits

Part #	Description	Includes Item #
DBCx1-150RK1 (Buna-N)	replacement seal kit, Buna crank shaft O-ring, PTFE stuffing box O-ring, Buna body O-ring, Buna cam gasket, PTFE O-ring (for DBC61-150)	4A, 5, 13A, 19A, 24
DBCx2-150RK1 (FKM)	replacement seal kit, FKM crank shaft O-ring, PTFE stuffing box O-ring, FKM body O-ring, FKM cam gasket, PTFE O-ring (for DBC62-150)	4B, 5, 13B, 19B, 24
DBCx3-150RK1 (PTFE and Kalrez®)	replacement seal kit, Kalrez® crank shaft O-ring, PTFE stuffing box O-ring, PTFE/Silicone® body O-ring, PTFE/Silicone® cam gasket, PTFE O-ring (for DBC63-150)	4C, 5, 13C, 19C, 24
DBCx4-150RK1 (EPDM)	replacement seal kit, EPDM crank shaft O-ring, PTFE stuffing box O-ring, EPDM body O-ring, EPDM cam gasket, PTFE O-ring (for DBC64-150)	4D, 5, 13D, 19D, 24
DBCx6-150RK1 (Kalrez® & PTFE/FKM)	replacement seal kit, Kalrez® crank shaft O-ring, PTFE stuffing box O-ring, Kalrez® body O-ring, PTFE/FKM cam gasket, PTFE O-ring (for DBC66-150)	4C, 5, 13E, 19E, 24
DBCx7-150RK1	replacement seal kit, Kalrez® crank shaft O-ring, PTFE stuffing box O-ring, PTFE/FKM body O-ring, PTFE/FKM cam gasket, PTFE O-ring (for DBC67-150)	4C, 5, 13F, 19E, 24
DBC61-150RK2	replacement Buna seal cylinder, PTFE buttons and PTFE bushing (for DBC61-150)	9A, 10, 12
DBC62-150RK2	replacement FKM seal cylinder, PTFE buttons and PTFE bushing (for DBC62-150)	9B, 10, 12
DBCx3-150RK2	replacement PTFE nose seal, PTFE buttons and PTFE bushing (for DBC63-150, DBC66-150 & DBC67-150)	10, 12, 31
DBC64-150RK2	replacement EPDM seal cylinder, PTFE buttons and PTFE bushing (for DBC64-150)	9D, 10, 12
DBCxx-150RK4	replacement link kit, link rivet, cotter pins, link washer, link arm and yoke (for all 1½" aluminum)	11, 14, 16, 17, 22, 23
DBCxx-150RK5	replacement stuffing box kit, stuffing box, PTFE O-ring and large crank shaft bearing (for all 1½" aluminum)	2, 5, 6
DBCxx-150RK6	replacement lever (handle) kit, lever, groove pin, lock washer and socket head cap screw (for all 1½" aluminum)	8, 15, 28, 29
DBCxx-150RK7	replacement crank shaft kit, crank shaft, cotter pin and washer (for all 1½" aluminum)	16, 21, 23
DBCxx-150RK8	main cylinder spring	25
DBCxx-150RK9	replacement poppet kit, poppet, round head screw, set screw and PTFE washer (for all 1½" aluminum)	20, 24, 26, 27
DBCL-200	optional add on padlockable lever kit, handle (for all 1½")	not illustrated

Product instruction sheets and technical data can be viewed on our website at dixongroupcanada.com by selecting the 'Resources' menu.

DBC Cam and Groove Dry Disconnects

1½" Stainless Couplers

1½" stainless coupler

Bill of Materials

DBC7x-150

Item #	Description	Part #	Qty
1	body	---	1
2	stuffing box	40074SS	1
3	back up ring	40075TF	1
4A	crank shaft O-ring Buna (for DBC71-150)	40076BN	1
4B	crank shaft O-ring FKM (for DBC72-150)	40076VI	1
4C	crank shaft O-ring Kalrez® (for DBC73-150, DBC76-150 and DBC77-150)	40076KR	1
4D	crank shaft O-ring EPDM (for DBC74-150)	40076EP	1
5	stuffing box PTFE O-ring	40077TF	1
6	large crank shaft bearing	40078FG	1
7	small crank shaft bearing	40079SS	1
8	lever (handle)	40080SS	1
9A	seal cylinder (for DBC71-150)	40117SSBN	1
9B	seal cylinder (for DBC72-150)	40117SSVI	1
9C	seal cylinder (for DBC73-150, DBC76-150 and DBC77-150)	40169SS	1
9D	seal cylinder (for DBC74-150)	40117SSEP	1
10	PTFE button	40082TF	6
11	yoke	40118SS	1
12	PTFE bushing	40119TF	1
13A	body O-ring Buna (for DBC71-150)	40120BN	1
13B	body O-ring FKM (for DBC72-150)	40120VI	1
13C	body O-ring PTFE/Silicone® (for DBC73-150)	40120TS	1
13D	body O-ring EPDM (for DBC74-150)	40120EP	1
13E	body O-ring Kalrez® (for DBC76-150)	40120KR	1
13F	body O-ring PTFE/FKM (for DBC77-150)	40120TV	1
14	link rivet	40086SS	1
15	groove pin	40087SS	1
16	crank shaft cotter pin	40088SS	1
17	link cotter pin	40088SS	1
18	EZ Boss lock cam arm	40089SS	2
19A	cam gasket Buna (for DBC71-150)	200-G-BU	1
19B	cam gasket FKM (for DBC72-150)	200-G-VI	1
19C	cam gasket PTFE/Silicone® (for DBC73-150)	200-G-TES	1
19D	cam gasket EPDM (for DBC74-150)	200-G-EPR	1
19E	cam gasket PTFE/FKM (for DBC76-150 and DBC77-150)	200-G-TFVI	1
20	poppet	40114SS	1
21	crank shaft	40115SS	1
22	link arm	40116SS	1
23	link washer	40094SS	1
24	poppet screw PTFE O-ring	40122TF	1
25	cylinder spring	DBCxx-150RK8	1
26	set screw	40124SS	1
27	poppet screw (round head)	40125SS	1
28	lock washer	40099SS	1
29	socket head cap screw	40100SS	1
30	cam arm spring pin	40101SS	2
31	nose seal (for DBC73-150, DBC76-150 and DBC77-150)	40171TF	1

Repair Kits

Part #	Description	Includes Item #
DBCx1-150RK1 (Buna-N)	replacement seal kit, Buna crank shaft O-ring, PTFE stuffing box O-ring, Bunabody O-ring, Buna cam gasket, PTFE O-ring (for DBC71-150)	4A, 5, 13A, 19A, 24
DBCx2-150RK1 (FKM)	replacement seal kit, FKM crank shaft O-ring, PTFE stuffing box O-ring, FKM body O-ring, FKM cam gasket, PTFE O-ring (for DBC72-150)	4B, 5, 13B, 19B, 24
DBCx3-150RK1 (PTFE/Silicone & Chemrez®)	replacement seal kit, Kalrez® crank shaft O-ring, PTFE stuffing box O-ring, PTFE/Silicone body O-ring, PTFE/Silicone cam gasket, PTFE O-ring (for DBC73-150)	4C, 5, 13C, 19C, 24
DBCx4-150RK1 (EPDM)	replacement seal kit, EPDM crank shaft O-ring, PTFE stuffing box O-ring, EPDM body O-ring, EPR cam gasket, PTFE O-ring (for DBC74-150)	4D, 5, 13D, 19D, 24
DBCx6-150RK1 (Kalrez® & PTFE/FKM)	replacement seal kit, Kalrez® crank shaft O-ring, PTFE stuffing box O-ring, Kalrez® body O-ring, PTFE/FKM cam gasket, PTFE O-ring (for DBC76-150)	4C, 5, 13E, 19E, 24
DBCx7-150RK1	replacement seal kit, Kalrez® crank shaft O-ring, PTFE stuffing box O-ring, PTFE/FKM body O-ring, PTFE/FKM cam gasket, PTFE O-ring (for DBC77-150)	4C, 5, 13F, 19E, 24
DBC71-150RK2	replacement Buna seal cylinder, PTFE buttons & PTFE bushing (for DBC71-150)	9A, 10, 12
DBC72-150RK2	replacement FKM seal cylinder, PTFE buttons and PTFE bushing (for DBC72-150)	9B, 10, 12
DBCx3-150RK2	replacement PTFE nose seal, PTFE buttons & PTFE bushing (for DBC73-150, DBC76-150 & DBC77-150)	10, 12, 31
DBC74-150RK2	replacement EPDM seal cylinder, PTFE buttons & PTFE bushing (for DBC74-150)	9D, 10, 12
DBCxx-150RK4	replacement link kit, link rivet, cotter pins, link washer, link arm & yoke (for all 1½" stainless steel)	11, 14, 16, 17, 22, 23
DBCxx-150RK5	replacement stuffing box kit, stuffing box, PTFE O-ring & large crank shaft bearing (for all 1½" stainless steel)	2, 5, 6
DBCxx-150RK6	replacement lever (handle) kit, lever, groove pin, lock washer & socket head cap screw (for all 1½" stainless steel)	8, 15, 28, 29
DBCxx-150RK7	replacement crank shaft kit, crank shaft, cotter pin & washer (for all 1½" stainless steel)	16, 21, 23
DBCxx-150RK8	main cylinder spring	25
DBCxx-150RK9	replacement poppet kit, poppet, round head screw, set screw & PTFE O-ring (for all 1½" stainless steel)	20, 24, 26, 27
DBCL-200	Optional add on padlockable lever kit (handle) (for all 1½")	not illustrated

Product instruction sheets and technical data can be viewed on our website at dixongroupcanada.com by selecting the 'Resources' menu.

DBC Cam and Groove Dry Disconnects

2" Aluminum Couplers

2" aluminum coupler

Bill of Materials

DBC6x-200

Item #	Description	Part #	Qty
1	body	---	1
2	stuffing box	40074SS	1
3	back up ring	40075TF	1
4A	crank shaft O-ring Buna (for DBC61-200)	40076BN	1
4B	crank shaft O-ring FKM (for DBC62-200)	40076VI	1
4C	crank shaft O-ring Kalrez® (for DBC63-200, DBC66-200 & DBC67-200)	40076KR	1
4D	crank shaft O-ring EPDM (for DBC64-200)	40076EP	1
5	stuffing box PTFE O-ring	40077TF	1
6	large crank shaft bearing	40078FG	1
7	small crank shaft bearing	40079SS	1
8	lever (handle)	40080SS	1
9A	seal cylinder (for DBC61-200)	40081ALBN	1
9B	seal cylinder (for DBC62-200)	40081ALVI	1
9C	seal cylinder (for DBC63-200, DBC66-200 & DBC67-200)	40168SS	1
9D	seal cylinder (for DBC64-200)	40081ALEP	1
10	PTFE button	40082TF	6
11	yoke	40083SS	1
12	PTFE bushing	40084TF	1
13A	body O-ring Buna (for DBC61-200)	40085BN	1
13B	body O-ring FKM (for DBC62-200)	40085VI	1
13C	body O-ring PTFE/Silicone (for DBC63-200)	40085TS	1
13D	body O-ring EPDM (for DBC64-200)	40085EP	1
13E	body O-ring Kalrez® (for DBC66-200)	40085KR	1
13F	body O-ring PTFE/FKM (for DBC67-200)	40085TV	1
14	link rivet	40086SS	1
15	groove pin	40087SS	1
16	crank shaft cotter pin	40088SS	1
17	link cotter pin	40088SS	1
18	EZ Boss lock cam arm	40089SS	2
19A	cam gasket Buna (for DBC61-200)	250-G-BU	1
19B	cam gasket FKM (for DBC62-200)	250-G-VI	1
19C	cam gasket PTFE/Silicone (for DBC63-200)	250-G-TES	1
19D	cam gasket EPDM (for DBC64-200)	250-G-EPR	1
19E	cam gasket PTFE/FKM (for DBC66-200 & DBC67-200)	250-G-TFVI	1
20	poppet	40091SS	1
21	crank shaft	40092SS	1
22	link arm	40093SS	1
23	link washer	40094SS	1
24	poppet screw PTFE O-ring	40095TF	1
25	cylinder spring	DBCxx-200RK8	1
26	set screw	40097SS	1
27	poppet screw (round head)	40098SS	1
28	lock washer	40099SS	1
29	socket head cap screw	40100SS	1
30	cam arm spring pin	40101SS	2
31	nose seal (for DBC63-200, DBC66-200 & DBC67-200)	40170TF	1

Repair Kits

Part #	Description	Includes Item #
DBCx1-200RK1 (Buna-N)	replacement seal kit, Buna crank shaft O-ring, PTFE stuffing box O-ring, Buna body O-ring, Buna cam gasket, PTFE O-ring (for DBC61-200)	4A, 5, 13A, 19A, 24
DBCx2-200RK1 (FKM)	replacement seal kit, FKM crank shaft O-ring, PTFE stuffing box O-ring, FKM body O-ring, FKM cam gasket, PTFE O-ring (for DBC62-200)	4B, 5, 13B, 19B, 24
DBCx3-200RK1 (PTFE/Silicone and Kalrez®)	replacement seal kit, Kalrez® crank shaft O-ring, PTFE stuffing box O-ring, PTFE/Silicone body O-ring, PTFE/Silicone cam gasket, PTFE O-ring (for DBC63-200)	4C, 5, 13C, 19C, 24
DBCx4-200RK1 (EPDM)	replacement seal kit, EPDM crank shaft O-ring, PTFE stuffing box O-ring, EPDM body O-ring, EPR cam gasket, PTFE O-ring (for DBC64-200)	4D, 5, 13D, 19D, 24
DBCx6-200RK1 (Kalrez® & PTFE/FKM)	replacement seal kit, Kalrez® crank shaft O-ring, PTFE stuffing box O-ring, Kalrez® body O-ring, PTFE/FKM cam gasket, PTFE O-ring (for DBC66-200)	4C, 5, 13E, 19E, 24
DBCx7-200RK1 (Kalrez® & PTFE/FKM)	replacement seal kit, Kalrez® crank shaft O-ring, PTFE stuffing box O-ring, Kalrez® body O-ring, PTFE/FKM cam gasket, PTFE O-ring (for DBC67-200)	4C, 5, 13F, 19E, 24
DBC61-200RK2	replacement Buna seal cylinder, PTFE buttons and PTFE bushing (for DBC61-200)	9A, 10, 12
DBC62-200RK2	Replacement FKM seal cylinder PTFE buttons and PTFE bushing (for DBC62-200)	9B, 10, 12
DBCx3-200RK2	replacement PTFE nose seal, PTFE buttons and PTFE bushing (for DBC63-200, DBC66-200 & DBC67-200)	10, 12, 31
DBC64-200RK2	replacement EPDM seal cylinder, PTFE buttons and PTFE bushing (for DBC64-200)	9D, 10, 12
DBCxx-200RK4	replacement link kit, link rivet, cotter pins, link washer, link arm and yoke (for all 2" aluminum)	11, 14, 16, 22, 23
DBCxx-200RK5	replacement stuffing box kit, stuffing box, PTFE O-ring & large crank shaft bearing (for all 2" aluminum)	2, 5, 6
DBCxx-200RK6	replacement lever (handle) kit, lever, groove pin, lock washer & socket head cap screw (for all 2" aluminum)	8, 15, 28, 29
DBCxx-200RK7	replacement crank shaft kit, crank shaft, cotter pin & washer (for all 2" aluminum)	16, 21, 23
DBCxx-200RK8	main cylinder spring	25
DBCxx-200RK9	replacement poppet kit, poppet, round head screw, set screw and PTFE O-Ring (for all 2" aluminum)	20, 24, 26, 27
DBCL-200	optional add on padlockable lever kit, handle (for all 2")	not illustrated

**Petroleum
Replacement Parts**

Product instruction sheets and technical data can be viewed on our website at dixongroupcanada.com by selecting the 'Resources' menu.

DBC Cam and Groove Dry Disconnects 2" Stainless Couplers

2" stainless coupler

Bill of Materials

DBC7x-200

Item #	Description	Part #	Qty
1	body	---	1
2	stuffing box	40074SS	1
3	back up ring	40075TF	1
4A	crank shaft O-ring Buna (for DBC71-200)	40076BN	1
4B	crank shaft O-ring FKM (for DBC72-200)	40076VI	1
4C	crank shaft O-ring Kalrez® (for DBC73-200, DBC77-200, DBC76-200)	40076KR	1
4D	crank shaft O-ring EPDM (for DBC74-200)	40076EP	1
5	stuffing box PTFE O-ring	40077TF	1
6	large crank shaft bearing	40078FG	1
7	small crank shaft bearing	40079SS	1
8	lever (handle)	40080SS	1
9A	seal cylinder (for DBC71-200)	40081SSBN	1
9B	seal cylinder (for DBC72-200)	40081SSVI	1
9C	seal cylinder (for DBC73-200, DBC76-200, DBC77-200)	40168SS	1
9D	seal cylinder (for DBC74-200)	40081SSSEP	6
10	PTFE button	40082TF	1
11	yoke	40083SS	1
12	PTFE bushing	40084TF	1
13A	body O-ring Buna (for DBC71-200)	40085BN	1
13B	body O-ring FKM (for DBC72-200)	40085VI	1
13C	body O-ring PTFE/Silicone (for DBC73-200)	40085TS	1
13D	body O-ring EPDM (for DBC74-200)	40085EP	1
13E	body O-ring Kalrez® (for DBC76-200)	40085KR	1
13F	body O-ring PTFE/FKM (DBC77-200)	40085TV	1
14	link rivet	40086SS	1
15	groove pin	40087SS	1
16	crank shaft cotter pin	40088SS	1
17	link cotter pin	40088SS	2
18	EZ Boss lock cam arm	40089SS	1
19A	cam gasket Buna (for DBC71-200)	250-G-BU	1
19B	cam gasket FKM (for DBC72-200)	250-G-VI	1
19C	cam gasket PTFE/Silicone (for DBC73-200)	250-G-TESS	1
19D	cam gasket EPDM (for DBC74-200)	250-G-EPR	1
19E	cam gasket PTFE/FKM (for DBC76-200, DBC77-200)	250-G-TFVI	1
20	poppet	40091SS	1
21	crank shaft	40092SS	1
22	link arm	40093SS	1
23	link washer	40094SS	1
24	poppet screw PTFE O-ring	40095TF	1
25	cylinder spring	40096SS	1
26	set screw	40097SS	1
27	poppet screw (round head)	40098SS	1
28	lock washer	40099SS	1
29	socket head cap screw	40100SS	1
30	cam arm spring pin	40101SS	2
31	nose seal (for DBC73-200, DBC76-200 and DBC77-200)	40170TF	1

Repair Kits

Part #	Description	Includes Item #
DBCx1-200RK1 (Buna-N)	replacement seal kit, Buna crank shaft O-ring, PTFE stuffing box O-ring, Buna body O-ring, Buna cam gasket, PTFE O-ring (for DBC71-200)	4A, 5, 13A, 19A, 24
DBCx2-200RK1 (FKM)	replacement seal kit, FKM crank shaft O-ring, PTFE stuffing box O-ring, FKM body O-ring, FKM cam gasket, PTFE O-ring (for DBC72-200)	4B, 5, 13B, 19B, 24
DBCx3-200RK1 (PTFE/Silicone and Kalrez®)	replacement seal kit, Kalrez® crank shaft O-ring, PTFE stuffing box O-ring, PTFE/Silicone body O-ring, PTFE/Silicone cam gasket, PTFE O-ring (for DBC73-200)	4C, 5, 13C, 19C, 24
DBCx4-200RK1 (EPDM)	replacement seal kit, EPDM crank shaft O-ring, PTFE stuffing box O-ring, EPDM body O-ring, EPR cam gasket, PTFE O-ring (for DBC74-200)	4D, 5, 13D, 19D, 24
DBCx6-200RK1 (Kalrez® & PTFE/FKM)	replacement seal kit, Kalrez® crank shaft O-ring, PTFE stuffing box O-ring, Kalrez® body O-ring, PTFE/FKM cam gasket, PTFE O-ring (for DBC76-200)	4C, 5, 13E, 19E, 24
DBCx7-200RK1 (PTFE/FKM and Kalrez®)	replacement seal kit, Kalrez® crank shaft O-ring, PTFE stuffing box O-ring, Kalrez® body O-ring, PTFE/FKM cam gasket, PTFE O-ring (for DBC77-200)	4C, 5, 13F, 19E, 24
DBC71-200RK2	replacement Buna seal cylinder, PTFE buttons and PTFE bushing (for DBC71-200)	9A, 10, 12
DBC72-200RK2	replacement FKM seal cylinder, PTFE buttons and PTFE bushing (for DBC72-200)	9B, 10, 12
DBCx3-200RK2	replacement PTFE nose seal, PTFE buttons and PTFE bushing (for DBC73-200, DBC76-200 & DBC77-200)	10, 12, 31
DBC74-200RK2	replacement EPDM seal cylinder, PTFE buttons & PTFE bushing (for DBC74-200)	9D, 10, 12
DBCxx-200RK4	replacement link kit, link rivet, cotter pins, link washer, link arm, yoke (for all 2" SS)	11, 14, 16, 17, 22, 23
DBCxx-200RK5	replacement stuffing box kit, stuffing box, PTFE O-ring and large crank shaft bearing (for all 2" SS)	2, 5, 6
DBCxx-200RK6	replacement lever (handle) kit, lever, groove pin, lock washer and socket head cap screw (for all 2" SS)	8, 15, 28, 29
DBCxx-200RK7	replacement crank shaft kit, crank shaft, cotter pin and washer (for all 2" SS)	16, 21, 23
DBCxx-200RK8	main cylinder spring	25
DBCxx-200RK9	replacement poppet kit, poppet, round head screw, set screw and PTFE O-ring (for all 2" SS)	20, 24, 26, 27
DBCL-200	optional add on padlockable lever kit (handle) (for all 2")	not illustrated

Product instruction sheets and technical data can be viewed on our website at dixongroupcanada.com by selecting the 'Resources' menu.