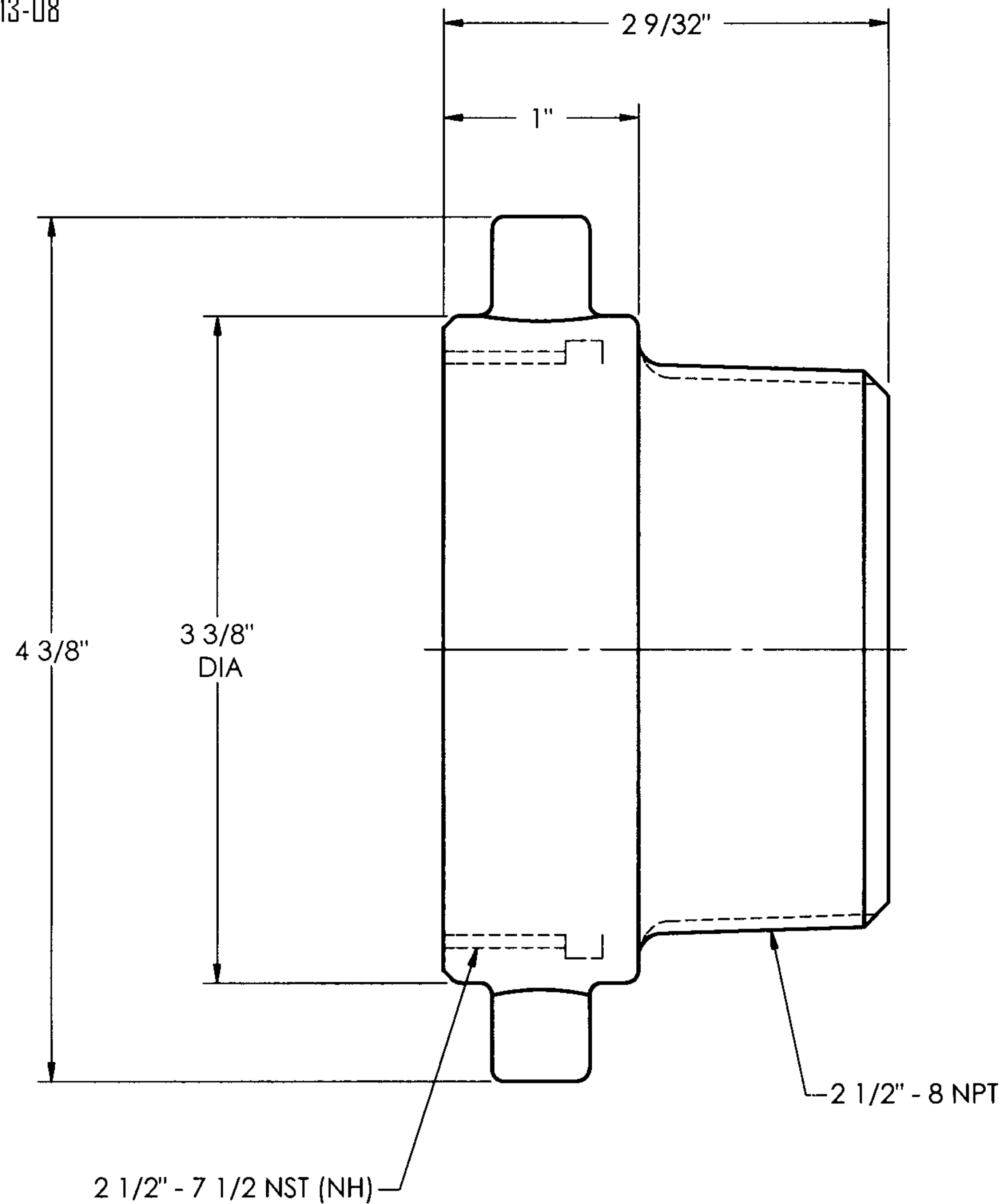


**HA2525T  
AHA2525T**

8-13-08

CUSTOMER DWG



CUSTOMER DWG



**AGREEMENT TO MAINTAIN CONFIDENTIALITY**

This drawing is owned by Dixon Valve & Coupling Co. and shall be returned upon demand. It is loaned on condition that it shall not be copied or reproduced or submitted to others without the owners consent. In accepting it subject to this condition the recipient further agrees that this drawing or any design detail or concept disclosed herein shall not be used in any way detrimental to or in competition with the owner. If the recipient does not agree to the terms of this agreement they shall return this drawing immediately.

**DIXON VALVE & COUPLING CO.  
U. S. A.**

TITLE			2 1/2 FEMALE NST (NH) x 2 1/2 MALE NPT HYDRANT ADAPTER		
DRWN BY:		CHECKED BY:		APPROVAL:	
TDJ 07/28/04		AE 7/28/04		AS 7/28/04	
MAT'L:			HA2525T AHA2525T		
ALUMINUM OR BRASS					