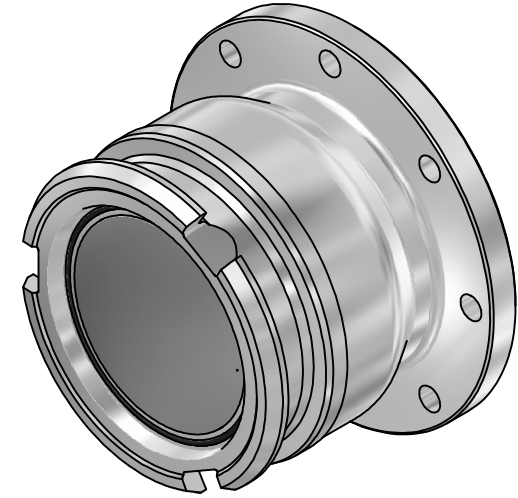
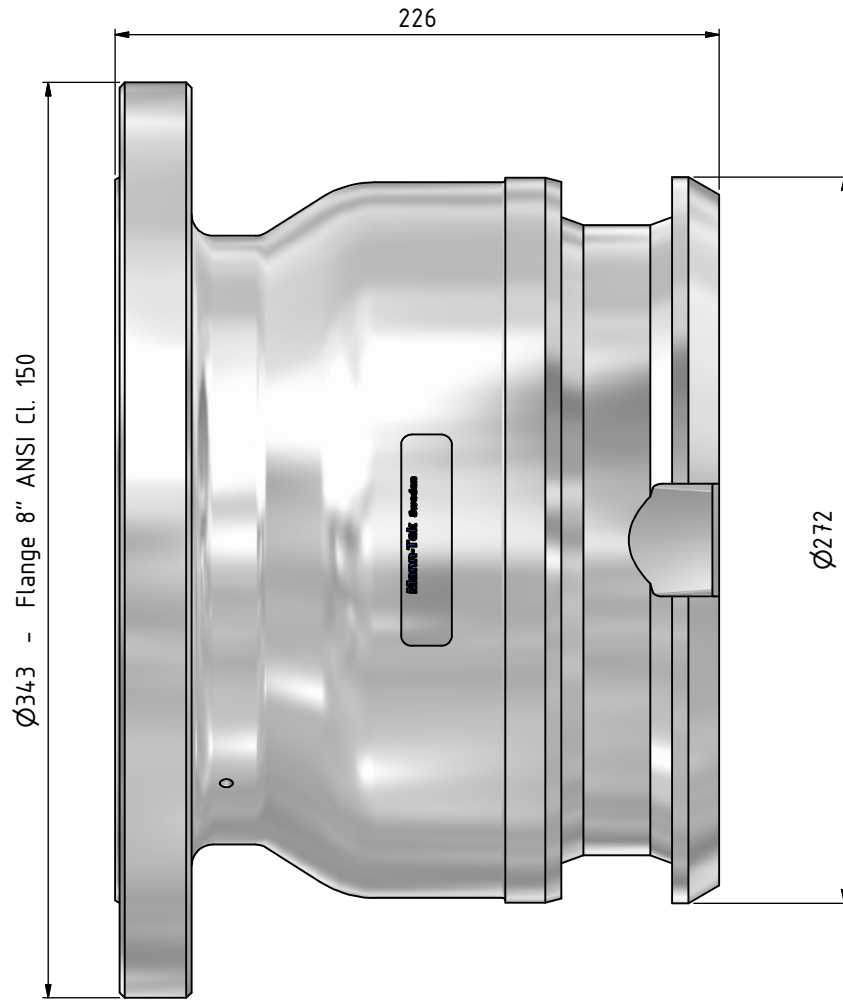



Notice: This drawing contains proprietary information and shall not be used or reproduced or its contents disclosed in whole or in part, without the prior written consent of the Mann Teknik AB



Dimensions are in metric.

NO.	Revision comprises	Date	Sign.	Appr by

Detail No:	Material	Ytbeh./Treatment	
	Designed/drawn by P. Nyberg	Scale: 1:2	Dimension with no tolerances acc to Machined SS-ISO 2768-1 medium Weld Forge SS-ISO 2768-1 coarse Surface roughness ISO 1302 Form & position tol SS ISO 1101
	Checked G. Kopplin	Date 2012-05-24	
	Approved T. Mann		
Tank Unit 8" Flange 8" ANSI Class 150		Data nr./Comp No. T8105A4401	Blad/Sheet 1 / 1
		Drawing No. T8105A4401-1	Rev.