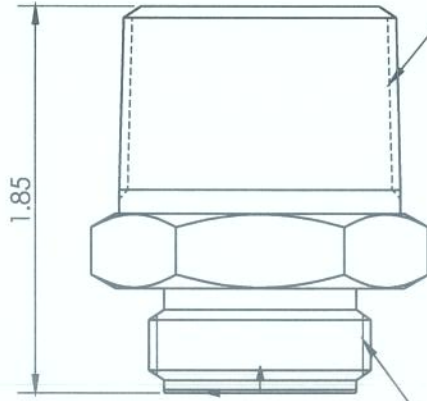
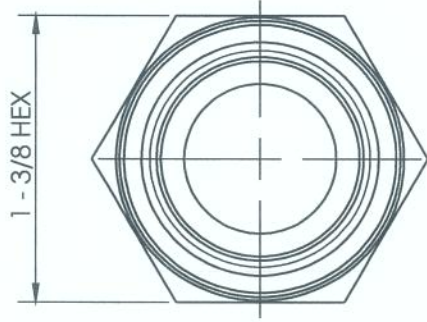
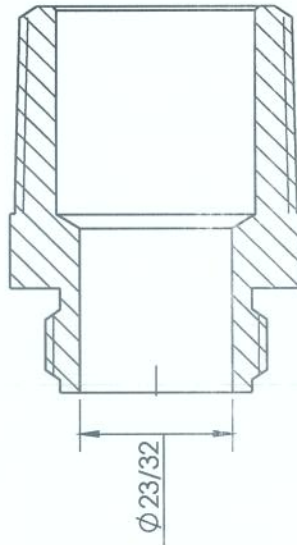


LINE DRAWING NOT FOR PRODUCTION PURPOSES



3/4 - 11 - 1/2
NH THREAD



MATERIAL 1 - 3/8 HEX ALLOY 360 BRASS

This drawing is owned by Dixon Valves, Coupling Co. and shall be returned upon demand. It is loaned on condition that it shall not be copied or reproduced or submitted to others without the owners consent. In accepting it, subject to this condition, the recipient further agrees that this drawing or any design detail or concept disclosed herein shall be the property of Dixon Valves, Coupling Co. and shall remain confidential. If the recipient discloses this information to any other person, the recipient shall return this drawing immediately. The information contained in this drawing is subject to change without notice.

 Dixon Brass Westmont, Illinois USA	DRAWN	DATE
	HENRY B.	10/4/17
	APPROVED	DATE
	ECO NO.	

DO NOT SCALE THIS DRAWING	
TITLE: ADAPTER 3/4" X 1" NPTF GARDEN HOSE	SIZE DWG. NO. 5081216C
	REV A