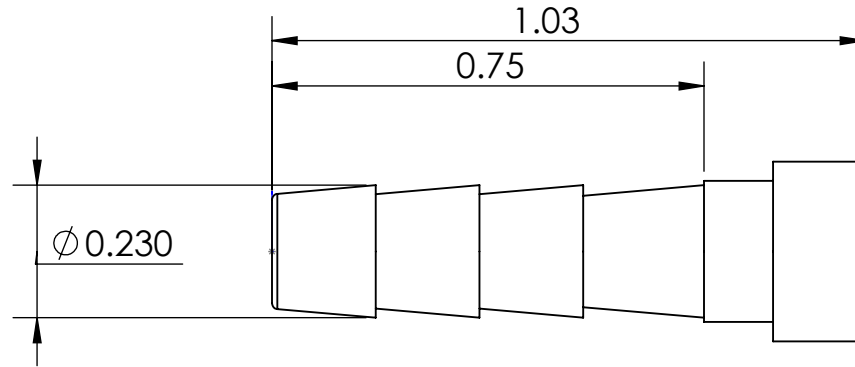
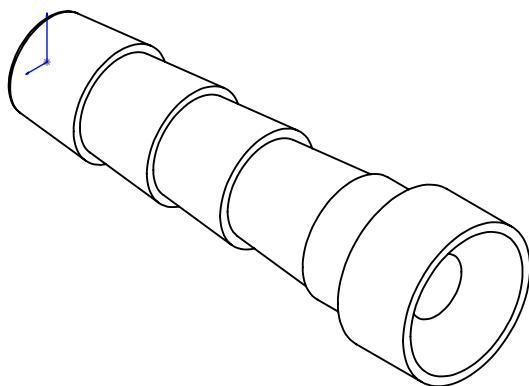
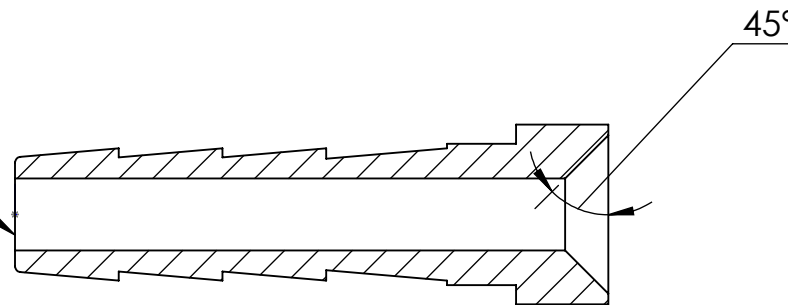



LINE DRAWING NOT FOR PRODUCTION PURPOSES



THRU HOLE DIA. .125



THIS DRAWING CONTAINS INFORMATION DEEMED PROPRIETARY TO DIXON BRASS AND IS SO TO BE USED ONLY FOR THE PURPOSE FOR WHICH IT IS SUBMITTED, AND FURTHER, SHALL NOT BE COPIED IN WHOLE OR IN PART WITHOUT EXPRESS WRITTEN PERMISSION FIRST OBTAINED FROM DIXON BRASS.			
UNLESS OTHERWISE SPECIFIED:			
DIMENSIONS ARE IN INCHES		 Dixon Brass Westmont, Illinois USA <i>The Right Connection™</i>	DRAWN P. MONAGHAN APPROVED DATE 3/17/14
TOLERANCES: ANGLES: $\pm 0^{\circ}30'$.X ($\pm .015$) .XX ($\pm .010$) .XXX ($\pm .005$) DIMENSIONS PER ANSI Y14.5			ECO NO. DATE
TITLE: FEMALE SWIVEL STEM 45 DEGREES		DRAWING NOT REPRODUCED TO SCALE	
SIZE A		DWG. NO. 1440306S	REV E