

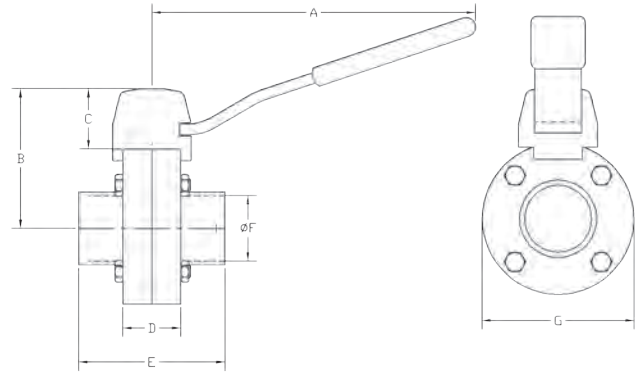
## Butterfly Valves

### Weld End

Size	CF8M Stainless Steel with Silicone Seats		CF8M Stainless Steel with EPDM Seats		CF8M Stainless Steel with FKM Seats	
	Part #	Price/E	Part #	Price/E	Part #	Price/E
1"	<b>B5104S100BB-D</b>	\$249.25	<b>B5104E100BB-D</b>	\$249.25	<b>B5104V100BB-D</b>	\$318.45
1½"	<b>B5104S150BB-D</b>	272.25	<b>B5104E150BB-D</b>	272.25	<b>B5104V150BB-D</b>	372.60
2"	<b>B5104S200BB-D</b>	293.60	<b>B5104E200BB-D</b>	293.60	<b>B5104V200BB-D</b>	398.65
2½"	<b>B5104S250BB-D</b>	368.15	<b>B5104E250BB-D</b>	368.15	<b>B5104V250BB-D</b>	483.05
3"	<b>B5104S300BB-D</b>	438.20	<b>B5104E300BB-D</b>	438.20	<b>B5104V300BB-D</b>	570.30
4"	<b>B5104S400BB-D</b>	580.85	<b>B5104E400BB-D</b>	580.85	<b>B5104V400BB-D</b>	746.45



Size	Dimensions						
	A	B	C	D	E	F	G
1"	6.6"	2.9"	1.2"	1.2"	3.0"	0.9"	3.1"
1½"	6.6"	2.9"	1.2"	1.2"	3.0"	1.4"	3.1"
2"	6.6"	3.2"	1.2"	1.2"	3.0"	1.9"	3.7"
2½"	6.6"	3.4"	1.2"	1.2"	3.0"	2.4"	4.2"
3"	6.6"	3.7"	1.2"	1.2"	3.0"	2.9"	4.8"
4"	6.6"	4.7"	1.7"	1.5"	3.5"	3.8"	5.9"



### Repair Kit for Clamp End and Weld End **Butterfly Valves**

#### Features:

- Repair kit contains:
  - (1) seat
  - (1) bushing
  - (1) split bushing
- for valves located on page 508-509

Valve Size	Red Silicone		Black EPDM		Black FKM	
	Part #	Price/E	Part #	Price/E	Part #	Price/E
1"	<b>B5104-RKS100</b>	\$28.65	<b>B5104-RKE100</b>	\$28.65	<b>B5104-RKV100</b>	\$80.65
1½"	<b>B5104-RKS150</b>	30.85	<b>B5104-RKE150</b>	30.85	<b>B5104-RKV150</b>	117.05
2"	<b>B5104-RKS200</b>	33.90	<b>B5104-RKE200</b>	33.90	<b>B5104-RKV200</b>	121.45
2½"	<b>B5104-RKS250</b>	44.85	<b>B5104-RKE250</b>	44.85	<b>B5104-RKV250</b>	134.45
3"	<b>B5104-RKS300</b>	54.20	<b>B5104-RKE300</b>	54.20	<b>B5104-RKV300</b>	154.85
4"	<b>B5104-RKS400</b>	71.75	<b>B5104-RKE400</b>	71.75	<b>B5104-RKV400</b>	195.65

N