

## B45BY Series Y - Ball Check Valve


  
1447
**Applications:**

- When liquid flows through the valve, the ball is forced into the branch of the valve allowing full fluid flow. When the liquid stops, equalizing the pressure, the ball drops back into the seat, preventing backflow. Should reverse flow occur, the differential pressure will cause the ball to seal firmly against the seat preventing leakage.

**Materials:**

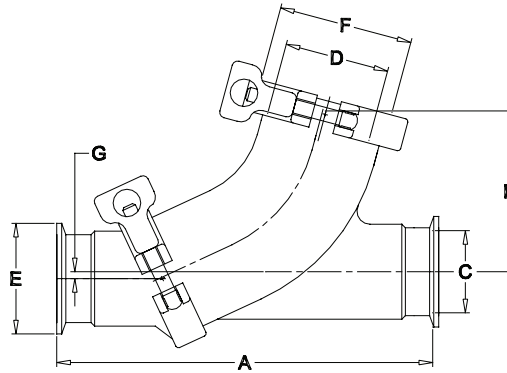
- ball: PTFE
- product contact surfaces: 316L stainless steel

**Features:**

- two-piece construction
- replaceable seat
- can be serviced in field (no special tools required)

**Specifications:**

- operating temperature range: 15°F to 200°F (-9°C to 93°C)
- maximum operating pressure: 150 PSI

**Dimensions**

| Valve Size | Clamp & Cap Size | A      | B     | C     | D     | E     | F     | G     | Ball Diameter | Weight (lbs) | 316L Stainless Steel Part # |
|------------|------------------|--------|-------|-------|-------|-------|-------|-------|---------------|--------------|-----------------------------|
| 1½"        | 2"               | 7.50"  | 3.30" | 1.36" | 1.87" | 1.98" | 2.51" | 0.16" | 1.6"          | 4.9          | <b>B45BY-R150</b>           |
| 2"         | 2½"              | 8.50"  | 3.90" | 1.86" | 2.33" | 2.51" | 3.04" | 0.16" | 2.1"          | 6.6          | <b>B45BY-R200</b>           |
| 2½"        | 3"               | 10.00" | 4.50" | 2.37" | 2.87" | 3.04" | 3.57" | 0.16" | 2.7"          | 10.5         | <b>B45BY-R250</b>           |
| 3"         | 4"               | 11.50" | 5.30" | 2.87" | 3.83" | 3.57" | 4.68" | 0.16" | 3.6"          | 17.5         | <b>B45BY-R300</b>           |

All dimensions are approximate. Engineering dimensions are available upon request.  
Specifications are subject to change without notice.

**Repair and Seal Kits****Repair kit contains:**

- (1) EPDM cap gasket
- (1) PTFE ball
- (1) EPDM/CF8M seat

**Seal kit contains:**

- (1) EPDM cap gasket
- (1) EPDM/CF8M seat

**FKM seal kit contains:**

- (1) FKM cap gasket
- (1) FKM /CF8M seat

| Size | Repair Kit Part #  | Seal Kit Part #    | FKM Seal Kit Part # | Replacement Ball Only Part # |
|------|--------------------|--------------------|---------------------|------------------------------|
| 1½"  | <b>B45BY-RK150</b> | <b>B45BY-SK150</b> | <b>B45BY-SKV150</b> | <b>B45BY-TB150</b>           |
| 2"   | <b>B45BY-RK200</b> | <b>B45BY-SK200</b> | <b>B45BY-SKV200</b> | <b>B45BY-TB200</b>           |
| 2½"  | <b>B45BY-RK250</b> | <b>B45BY-SK250</b> | <b>B45BY-SKV250</b> | <b>B45BY-TB250</b>           |
| 3"   | <b>B45BY-RK300</b> | <b>B45BY-SK300</b> | <b>B45BY-SKV300</b> | <b>B45BY-TB300</b>           |