

Maintenance & Operating Instructions

For

DIXON “BAYCO”

**VR4040CS-AL SERIES
VAPOR COUPLER**

For Sales & Service Contact

USA:

Dixon Bayco USA
Chestertown, Maryland
Phone: 410-778-2000
Fax: 410-778-4702
Toll Free: 800-355-1991
E-mail: dixonbayco@dixonvalve.com
www.dixonbayco.com

Canada:

Dixon Group Canada Limited
Innisfil (Barrie), Ontario
Phone: 705-436-1125
Fax: 705-436-6251
Toll Free: 877-963-4966
E-mail: isales@dixongroupcanada.com
www.dixongroupcanada.com

Mexico:

Dixva, S. de R.L. de C.V.
Monterrey, N.L.
Phone: 01-800-00-DIXON (34966)
Fax: 01-81-8354-8197
E-mail: contactenos@dixonvalve.com.mx
www.dixonvalve.com

Europe:

Dixon Group Europe Ltd
Preston, England
Phone: +44 (0)1772 323529
Fax: +44 (0)1772 314664
E-mail: enquiries@dixoneurope.co.uk
www.dixoneurope.co.uk

Asia Pacific:

Dixon (Asia Pacific) Pty Ltd
Wingfield, South Australia
Phone: +61 8 8202 6000
Fax: +61 8 8202 6099
E-mail: enquiries@dixonvalve.com.au
www.dixonvalve.com.au



The Right Connection™

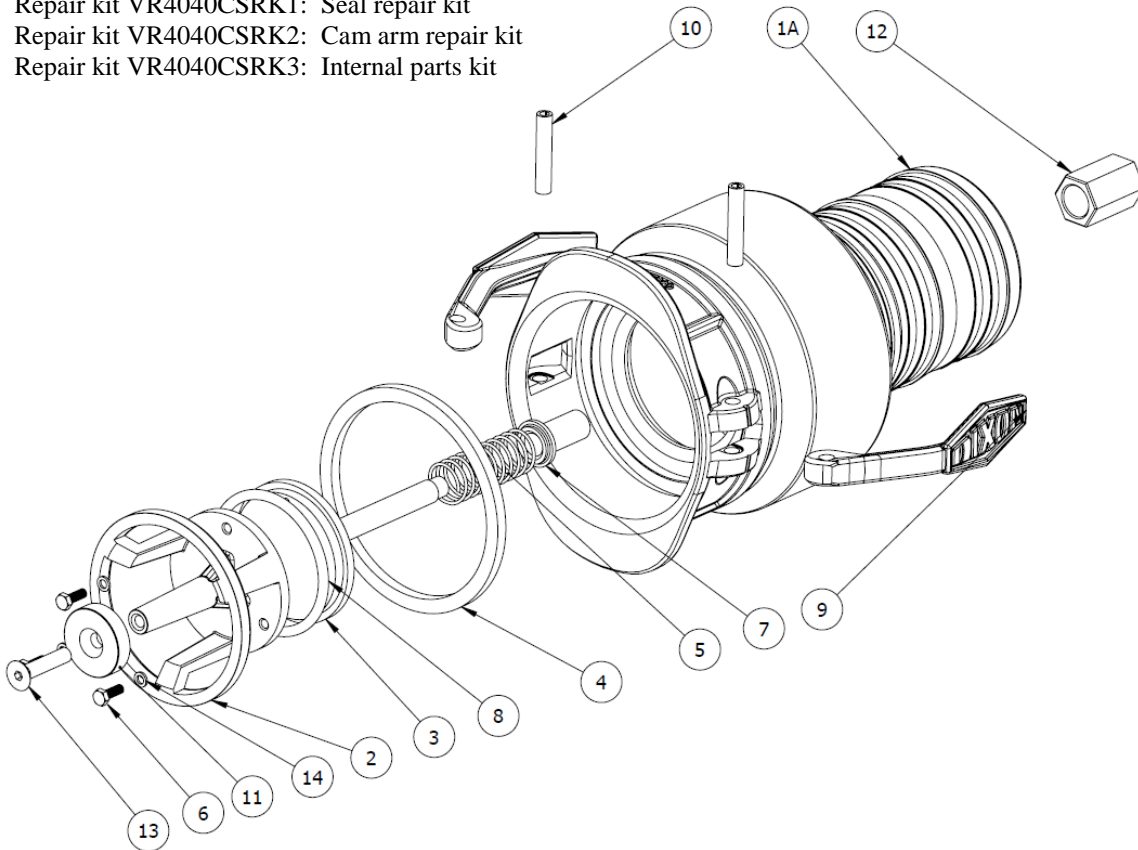
ITEM	DESCRIPTION	PART NO.	Qty of Components per Unit						
			VR4040CS-AL	VR4040CS-ALL	VR4040CS-MNPT	VR4040CS-MNPTL	VR4040CSRK1	VR4040CSRK2	VR4040CSRK3
1	BODY	341818	1	1	-	-	-	-	-
		341870			1	1	-	-	-
2	CAGE	341819	1	1	1	1	-	-	1
3	POPPET	341820	1	1	1	1	-	-	1
4	GASKET	112262	1	1	1	1	1	-	-
5	SPRING	112263	1	1	1	1	-	-	1
6	MACHINE SCREW	112264	3	3	3	3	3	-	3
7	BUSHING	390146	1	1	1	1	-	-	1
8	O-RING #334	110691	1	1	1	1	1	-	1
9	PADDLE ARM	40215SS	2	2	2	2	-	2	-
10	CAM ARM PIN	40218SS	2	2	2	2	-	2	-
11	BUTTON	391860	1	-	1	-	-	-	1
		391866	-	1	-	1	-	-	-
12	POPPET STOP	391868	1	1	1	1	-	-	1
13	SCREW	112416	1	1	1	1	-	-	1
14	LOCK WASHER	111706	3	3	3	3	3	-	3

*Use Relevant Repair Kit

Repair kit VR4040CSRK1: Seal repair kit

Repair kit VR4040CSRK2: Cam arm repair kit

Repair kit VR4040CSRK3: Internal parts kit



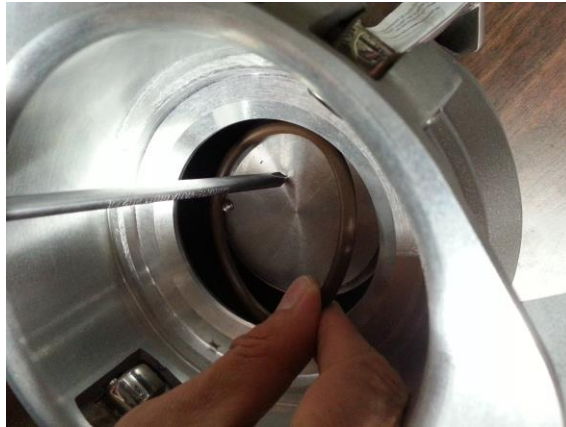
These instructions and recommendations are provided to ensure proper operation and long service life of Dixon "Bayco" VR4040CS-AL. Parts are identified by the item numbers on the assembly drawing and parts list.

DIASSEMBLING AND ASSEMBLING INSTRUCTIONS FOR DIXON "BAYCO" VR4040CS-AL SERIES VAPOR COUPLERS

1. Hold the cage (2) and undo the machine screws (6) & lock washers (14).
2. Remove the cage (2) and visually inspect the cage (2) and the button (11). If the cage (2) and the button (11) are worn or damaged, replace with new ones.

Note! The button (11) is tightened onto the probe of the cage (2) through the screw (13) in the factory.

3. If the gasket (4) needs to be replaced, install the new gasket (4). Make sure that the gasket (4) sits in the groove properly.
4. Push the poppet (3) into the coupler and hold. Remove the O-Ring (8) from the poppet (3).



Note! After the O-Ring (8) is removed, the poppet stop (12) will hold the poppet (3) in the coupler body. If the poppet (3) is worn or damaged, remove the coupler from the hose or the mating part.

5. Remove the poppet stop (12) from the hose shank end using a wrench for 1" hex.



6. Remove the poppet (3) and the spring (5).
7. Remove the bushing (7) and replace with a new bushing (7) if needed.
8. Install the spring (5) and the poppet (3) from the front end into the body (1). After the poppet (3) end passes the bushing (7), thread the poppet stop (12) from the coupler back onto the poppet (3) end and hand tighten the poppet stop (12).
9. Hold the cage (2) and use the wrench for 1" hex to tighten the poppet stop (12).
10. Push the poppet (3) into the coupler and hold. Install the new O-Ring (8) and make sure that the O-Ring (8) sits in the poppet (3) groove properly.



11. Install the cage (2) to the poppet (3) using the machine screws (6) and lock washers (14).
12. Push the cage (2) into the body (1) to make sure the cage (2) and the poppet (3) can move smoothly.

DIXON BAYCO WARRANTY:

For Warranty Information, please refer to the inside back cover of the latest Dixon Catalogue.