

2-Way, 3-Piece Encapsulated Ball Valves

Features

- Live-loaded stem packing
- Precision stainless steel balls reduce torque and friction losses while extending seat life
- Integral ISO 5211 mounting pad
- I.D. polish is Ra 32 minimum
- Lockable handle can prevent accidental actuation
- Standard internal entry blowout-proof stem design
- Full port design matches ball and seat ports to tube I.D. for lower pressure drop and less turbulent flow
- Compact design for areas with tight space restrictions
- Fully encapsulated construction produces bubble tight seal
- Identification tagging available
- Balanced encapsulated construction minimizes cold flow

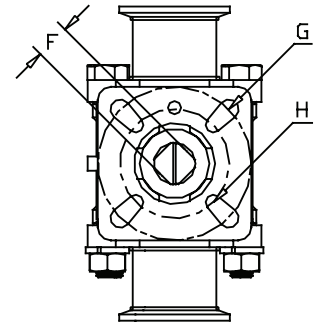
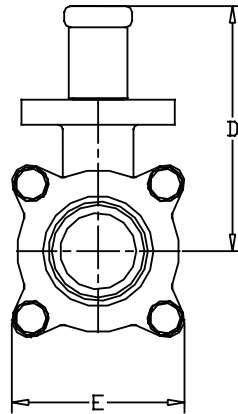
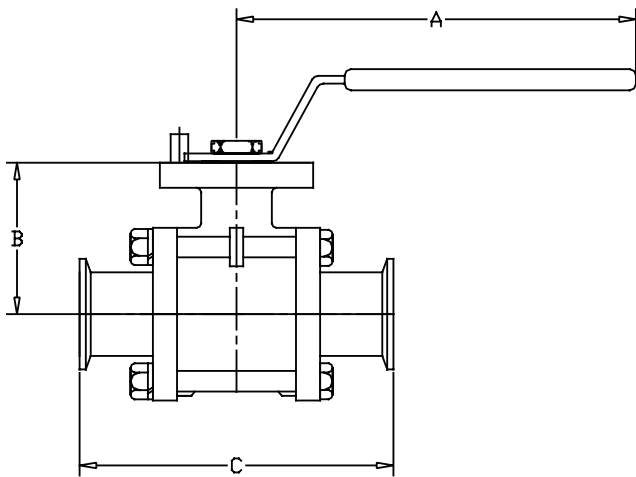


Materials

- Body, ends, and ball: CF8M stainless
- Seats: virgin PTFE, 15% glass reinforced RTFE, 25% carbon reinforced PTFE, 50% stainless steel reinforced PTFE or UHMW

Specifications

- Maximum pressure rating: 1/2" - 2" **1000 PSI WOG**, 2-1/2" - 4" **800 PSI WOG**
- For valve seat options, call Dixon Sanitary at 800.789.1718
- Repair kits available



M

Size	Dimensions								316 Stainless Steel Part #
	A (in)	B (in)	C (in)	D (in)	E (in)	F (mm)	G (mm)	H (mm)	
1/2"	4.9	1.5	4.3	3.1	2.0	9	42	36	BV2CV-050CC-A
3/4"	4.9	1.8	4.7	3.4	2.2	9	42	36	BV2CV-075CC-A
1"	5.4	2.1	4.9	3.6	2.4	11	50	42	BV2CV-100CC-A
1-1/2"	9.3	2.7	5.6	4.4	3.2	14	70	50	BV2CV-150CC-A
2"	9.3	3.1	6.4	4.7	3.8	14	70	50	BV2CV-200CC-A
2-1/2"	18.0	3.8	7.8	5.2	4.9	17	102	70	BV2CV-250CC-A
3"	18.3	4.2	9.0	5.7	5.4	17	102	70	BV2CV-300CC-A
4"	18.3	5.3	9.6	6.9	8.7	22	125	102	BV2CV-400CC-A